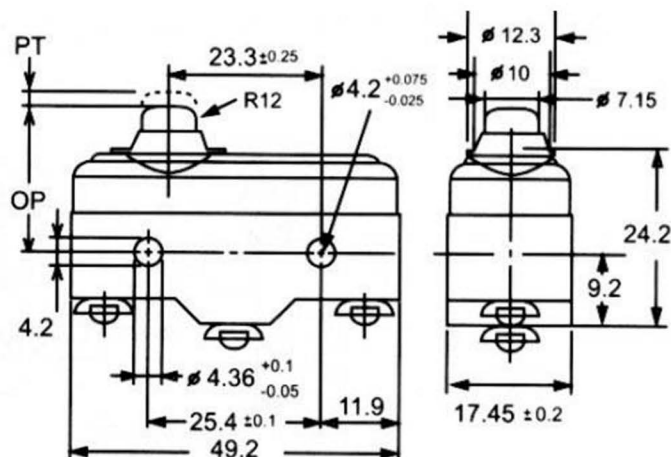


Z-15GD



Features :

General Standard

Specifications:

Operating Frequency: 0.01mm-1m/sec

Rated Voltage/Current: 15/600VAC(UL file 240199)

Service Life: Mechanically 1×10^7 (operations)
Electrically 5×10^5 (operations)

Operating Temperature: about $-25 \sim +80$ ($-4 \sim +176$)

Humidity: <95%RH

Degree of protection: IP00/IP63

Delectric Strength:

1000VAC for 1 min between current carrying parts

2500VAC for 1 min between non-current carrying parts

Operating Characteristics

- | | | | |
|--------------|-------|--------------|-------------------|
| • OF_{max} | 3,43N | • OT_{min} | 1,6mm |
| • RF_{min} | 1,12N | • MD_{max} | 0,05mm |
| • PT_{max} | 0.4mm | • OP | 21.5 ± 0.5 mm |